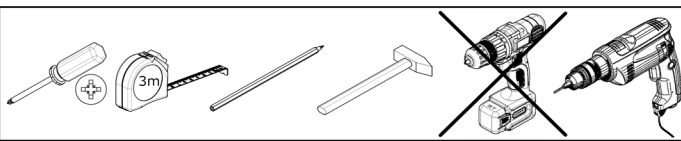
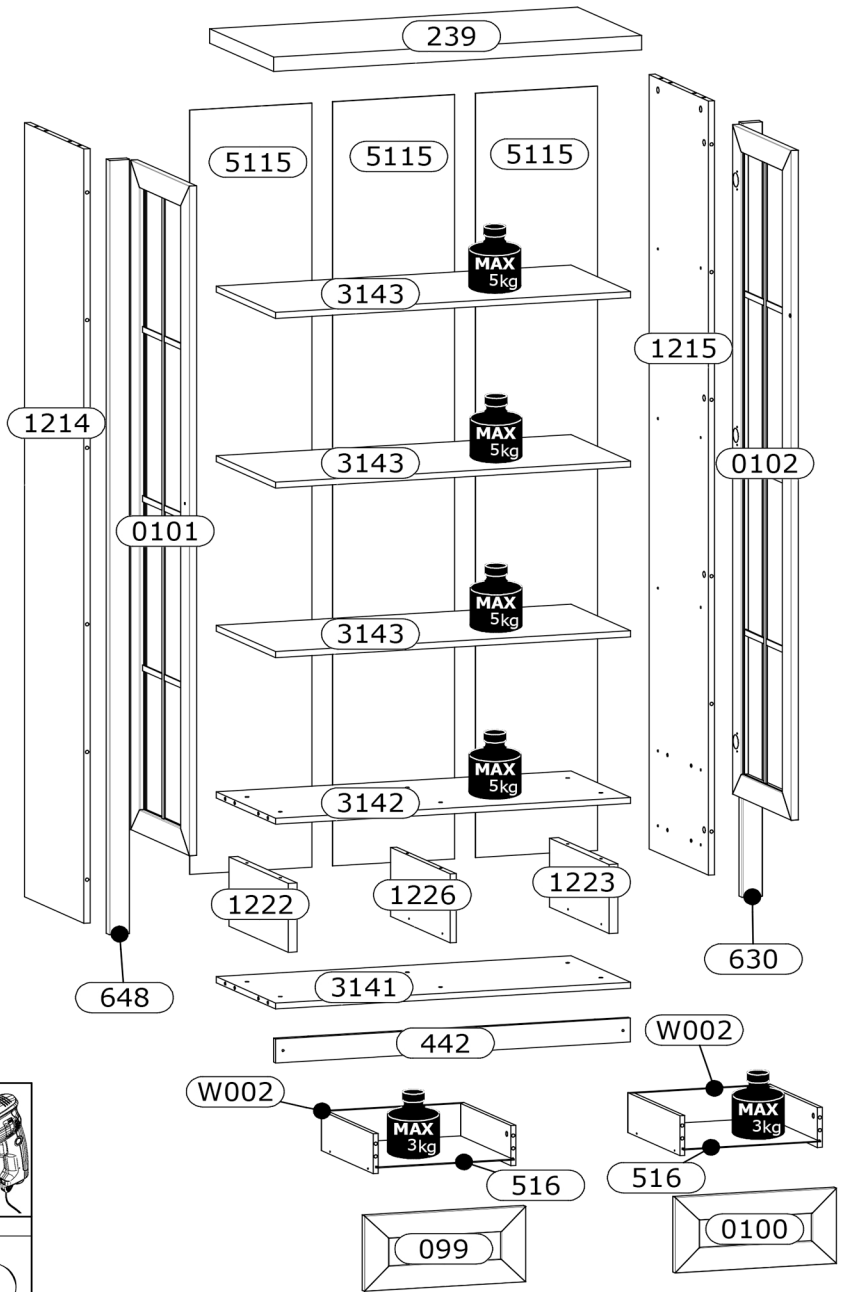
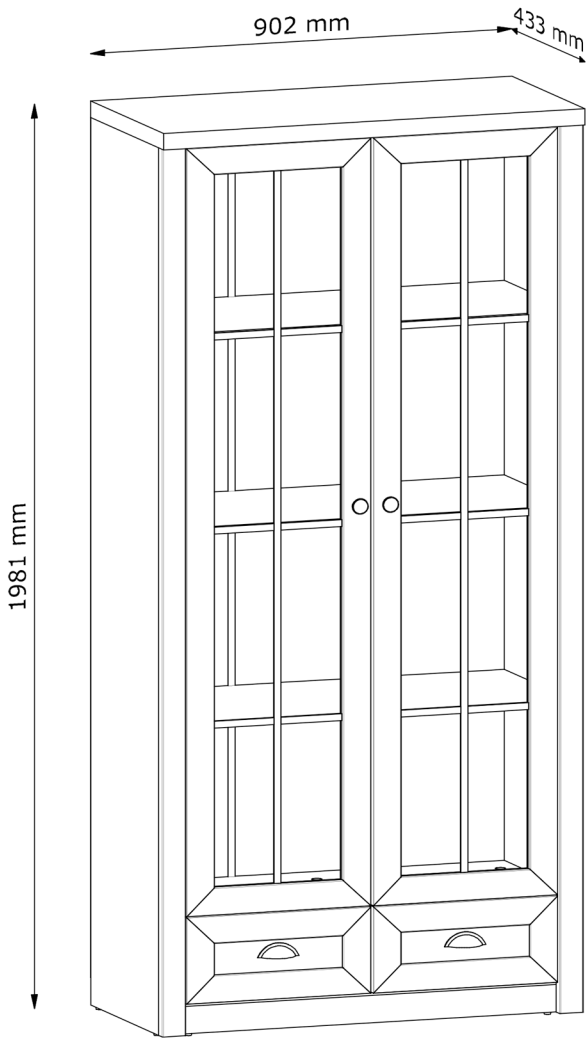
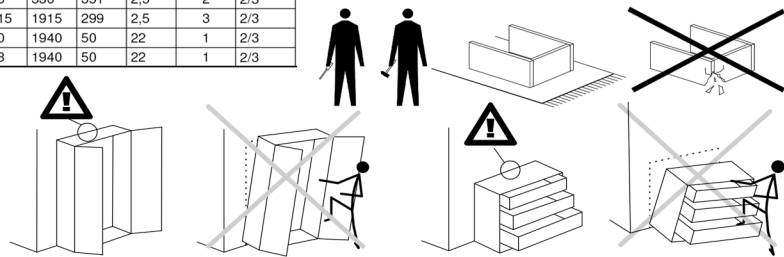


W2S SA



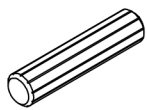
A1 x24 Ø8x35mm	B1 x24 Ø5x38mm	C1 x20 Ø15x12mm	C2 x4 Ø12x10mm	E1 x12 Ø5x16mm
G1 x40 26mm	H x2 1915mm	J1 x20 Ø21mm	K1 x12 Ø6,4x50mm	N2 x1 4mm HEX
P2 x4 350mm	T4 x2 75x28x16 mm	U1 x2 Ø33mm	U3 x2 92x33mm	W1 x12 Ø3,5x13mm
W2 x24 Ø3,5x16mm	W5 x2 Ø4x30mm	X2 x4 M4x16mm	X4 x2 M4x25mm	Y1 x7 Ø8x1,5mm
Y5 x6 Ø15x20mm	Z6 x6 Ø35mm, 90°			

No	L[mm]	W[mm]	H[mm]	PCS	BOX
W002	1049	100	12	2	1/3
099	395	189	18	1	2/3
0100	395	189	18	1	2/3
0101	1678	395	18	1	2/3
0102	1678	395	18	1	2/3
1214	1940	400	15	1	2/3
1215	1940	400	15	1	2/3
1222	173	400	22	1	1/3
1223	173	400	22	1	1/3
1226	173	400	15	1	1/3
239	902	430	36	1	1/3
3141	870	400	15	1	1/3
3142	870	400	15	1	1/3
3143	870	400	15	3	1/3
442	869	60	15	1	1/3
516	336	351	2,5	2	2/3
515	1915	299	2,5	3	2/3
630	1940	50	22	1	2/3
648	1940	50	22	1	2/3



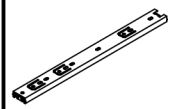
1

A1 x 4



Ø8x35mm

P2 x 4

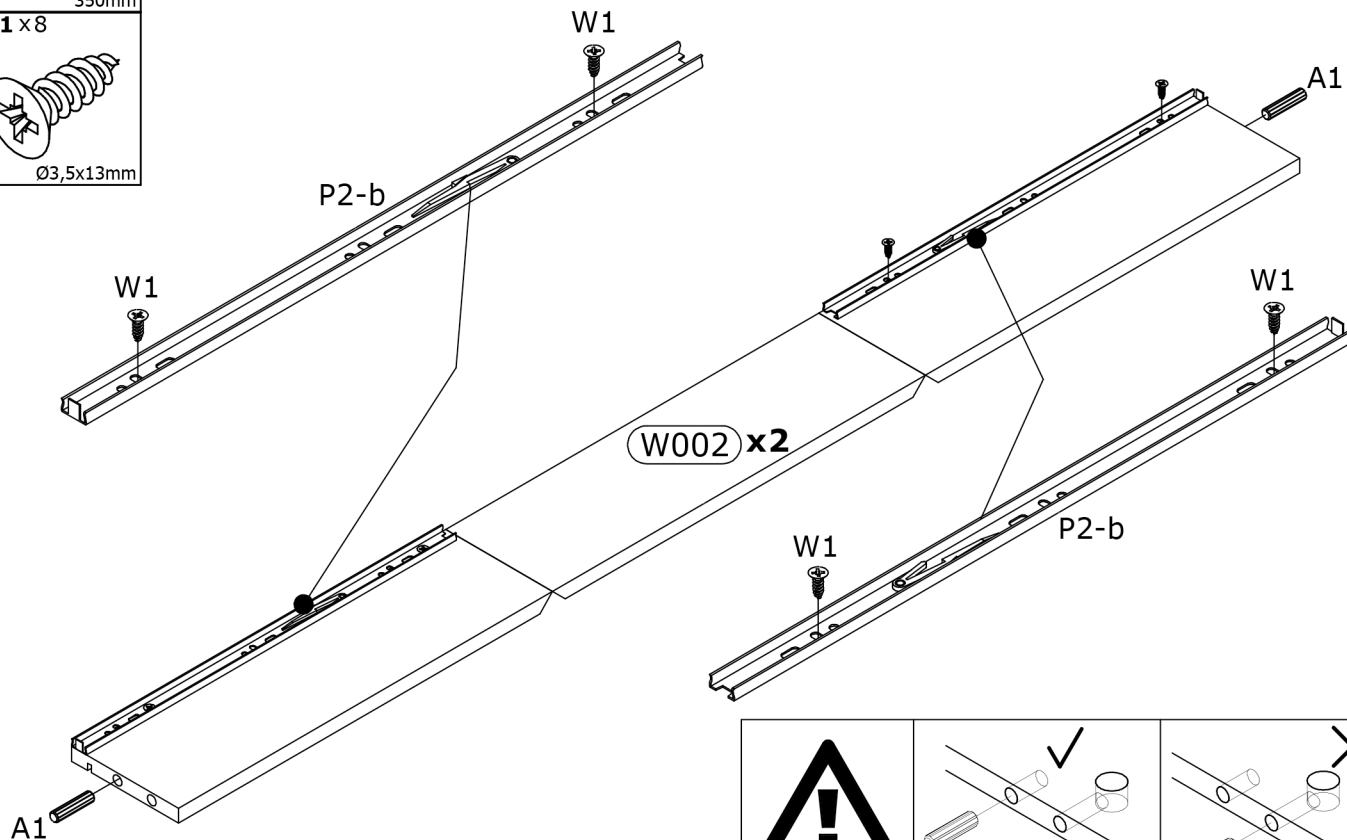
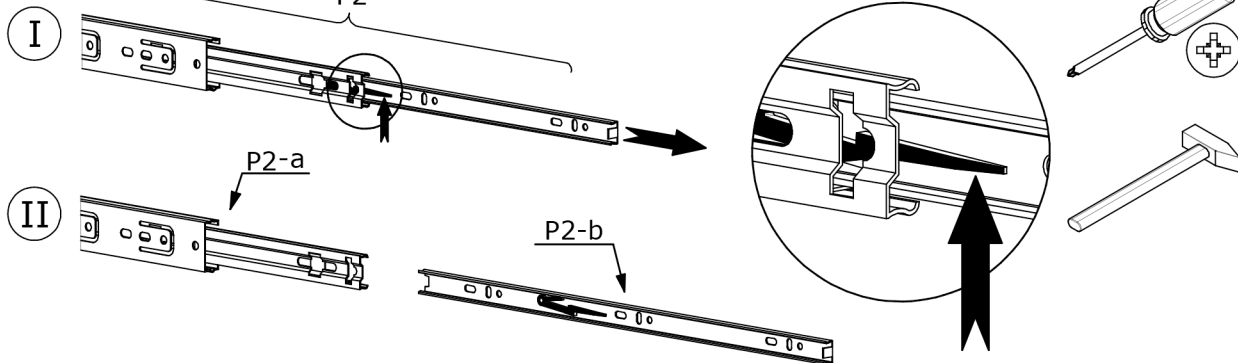


350mm

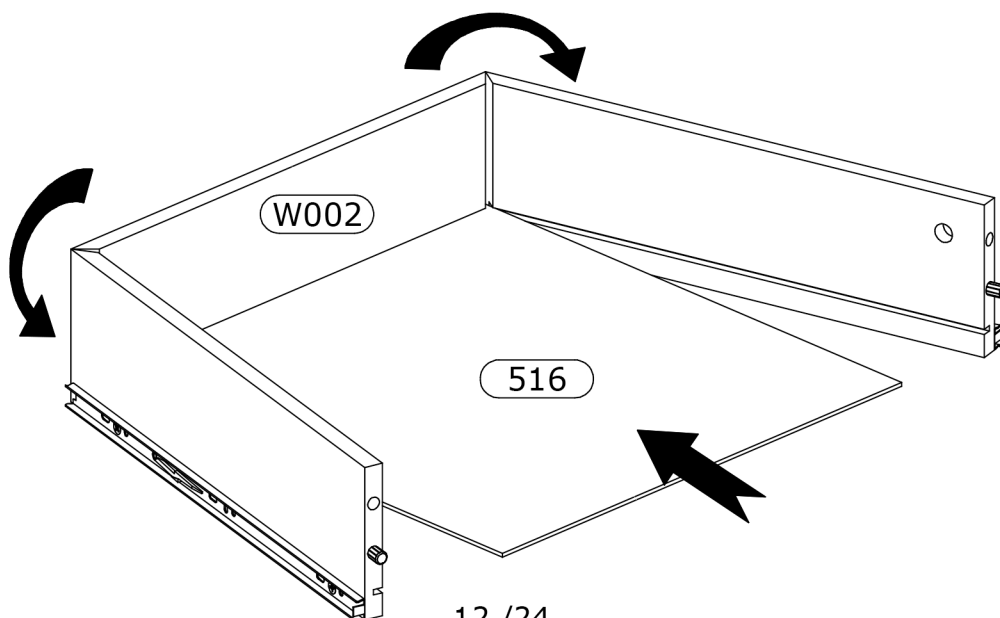
W1 x 8



Ø3,5x13mm

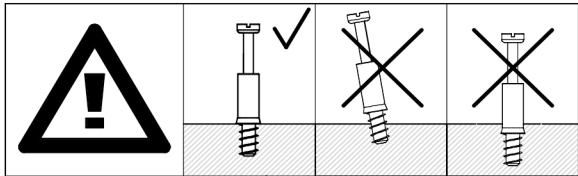
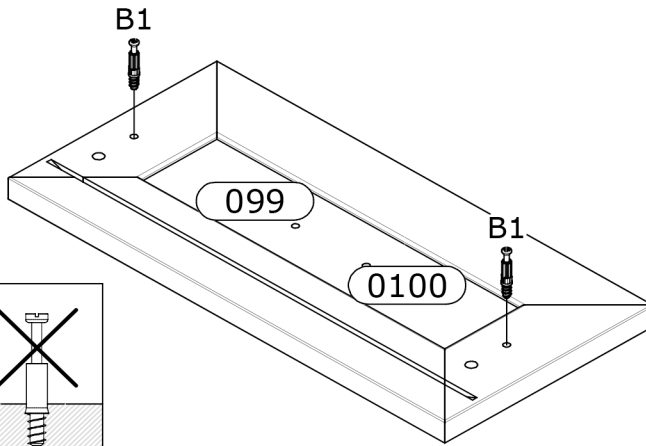
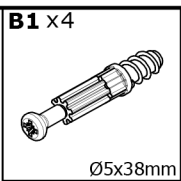


2

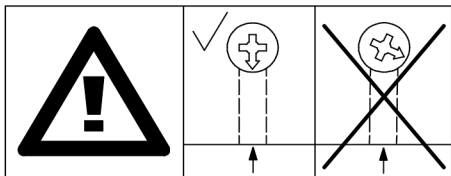
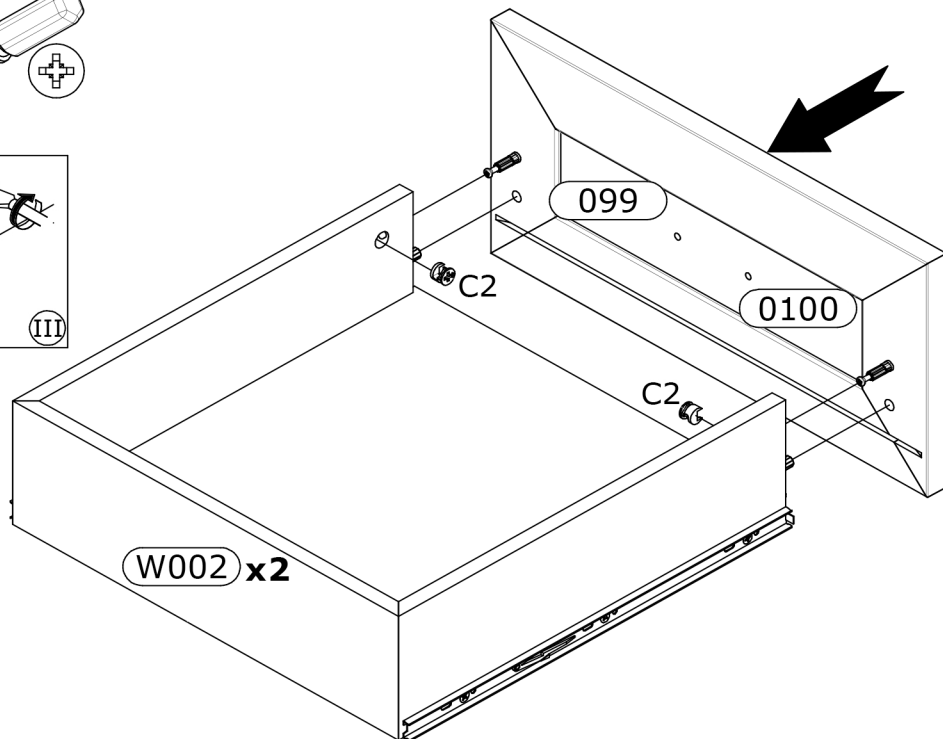
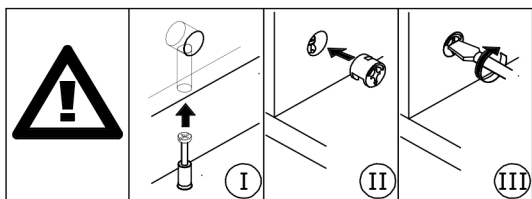
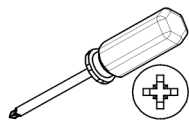
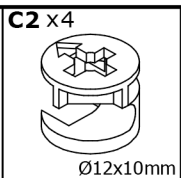


x2

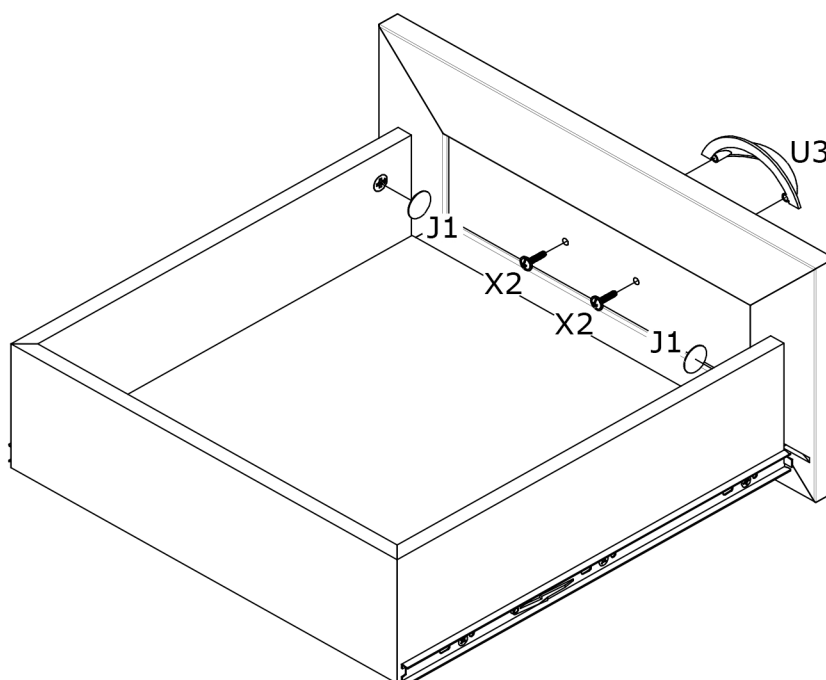
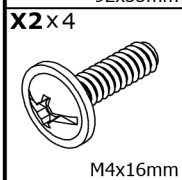
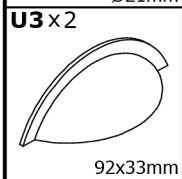
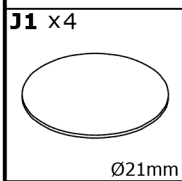
3



4

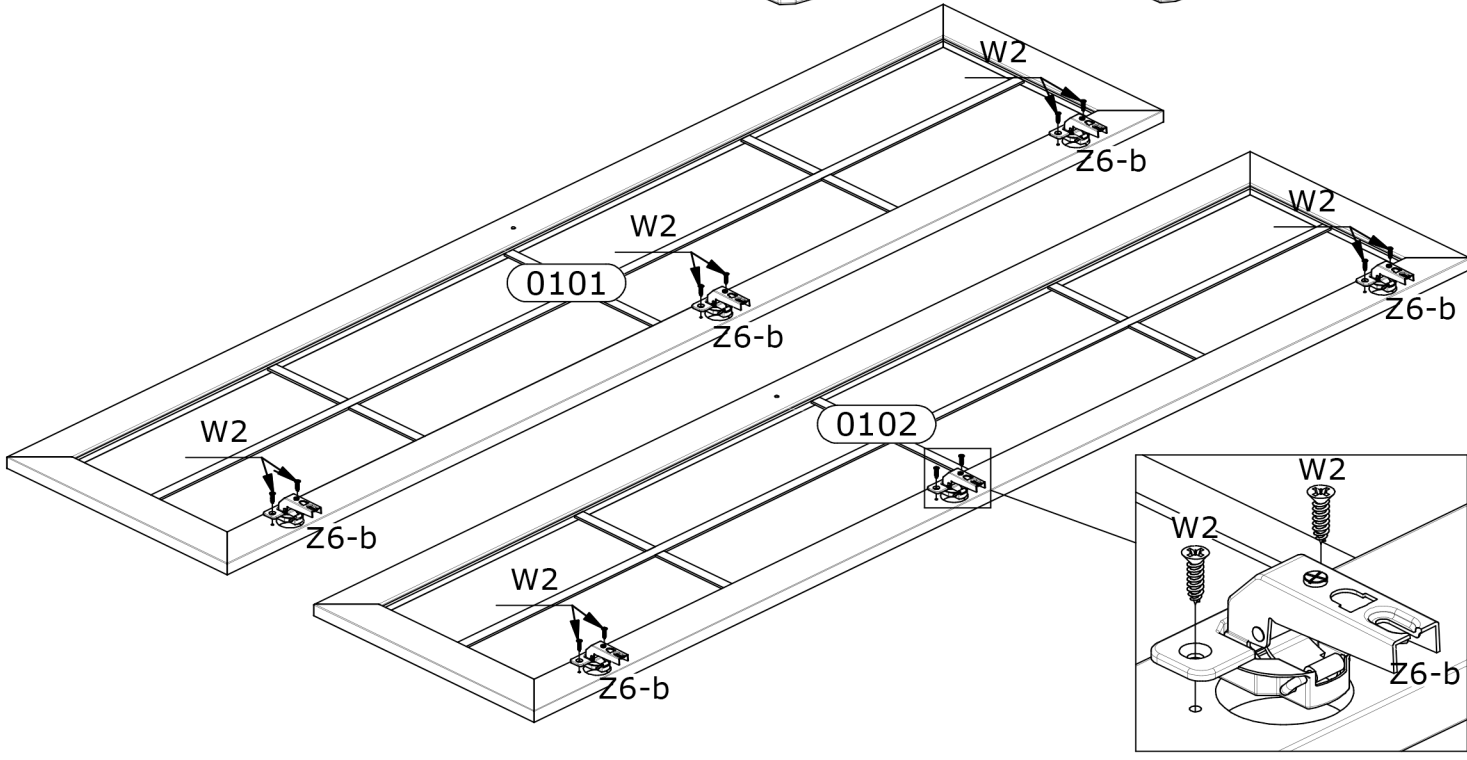
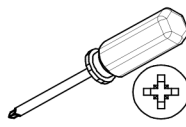
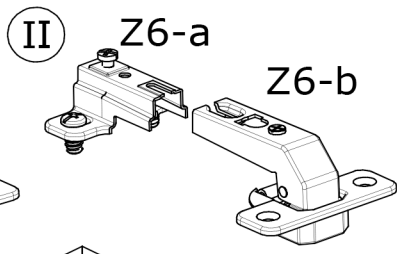
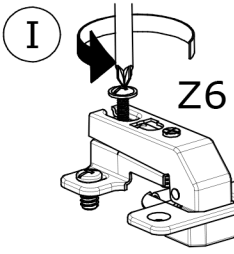
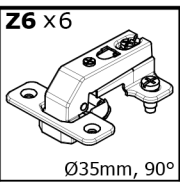
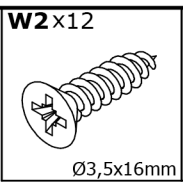


5

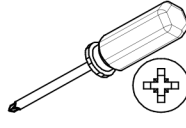
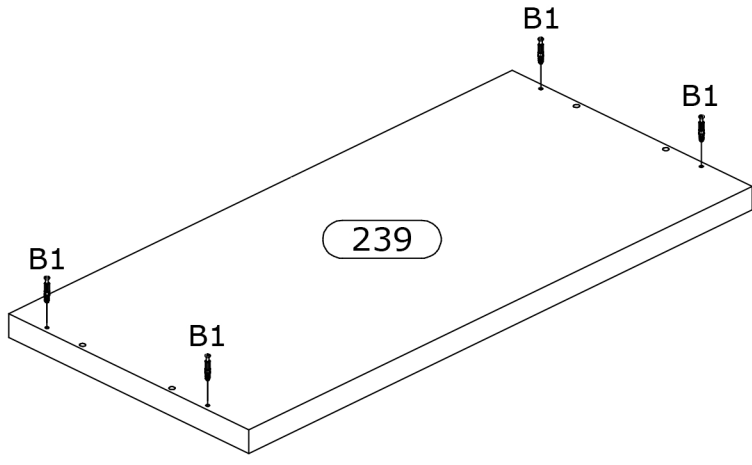
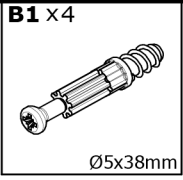


x2

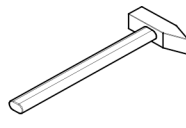
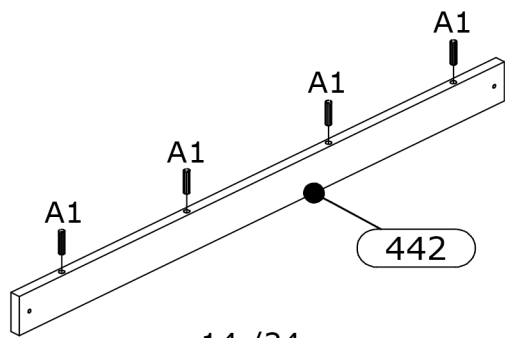
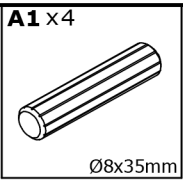
6



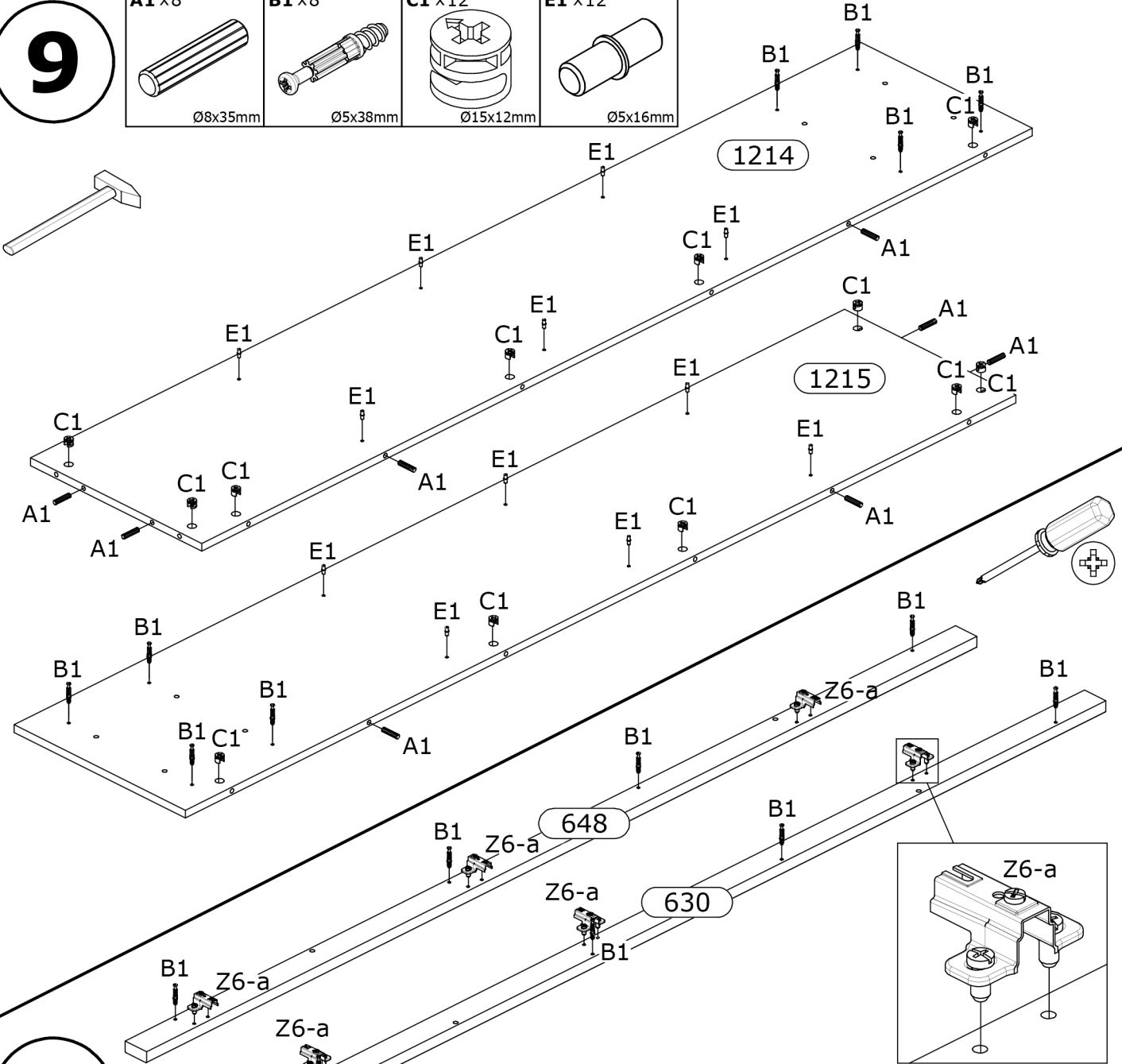
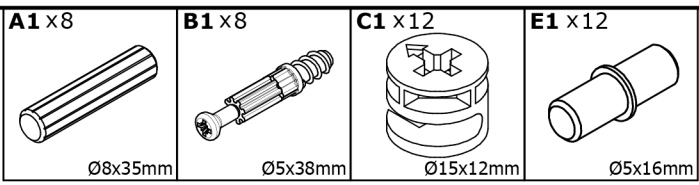
7



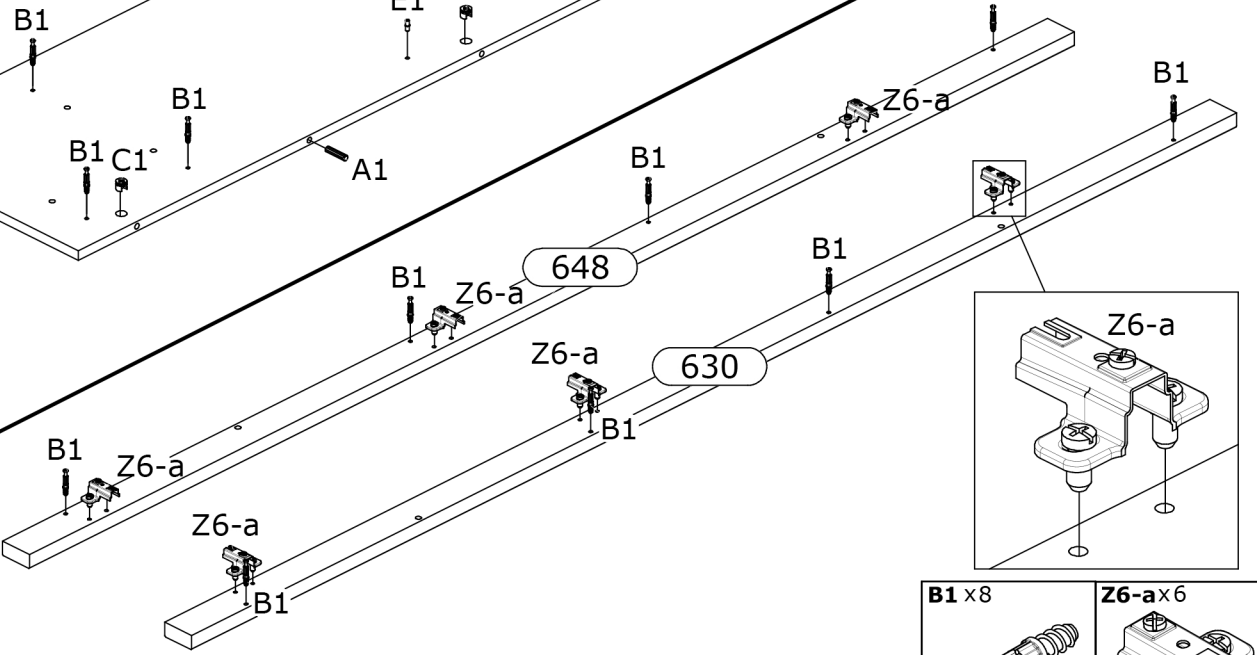
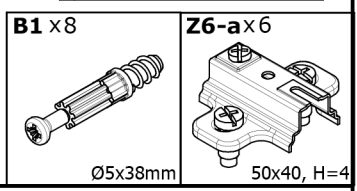
8



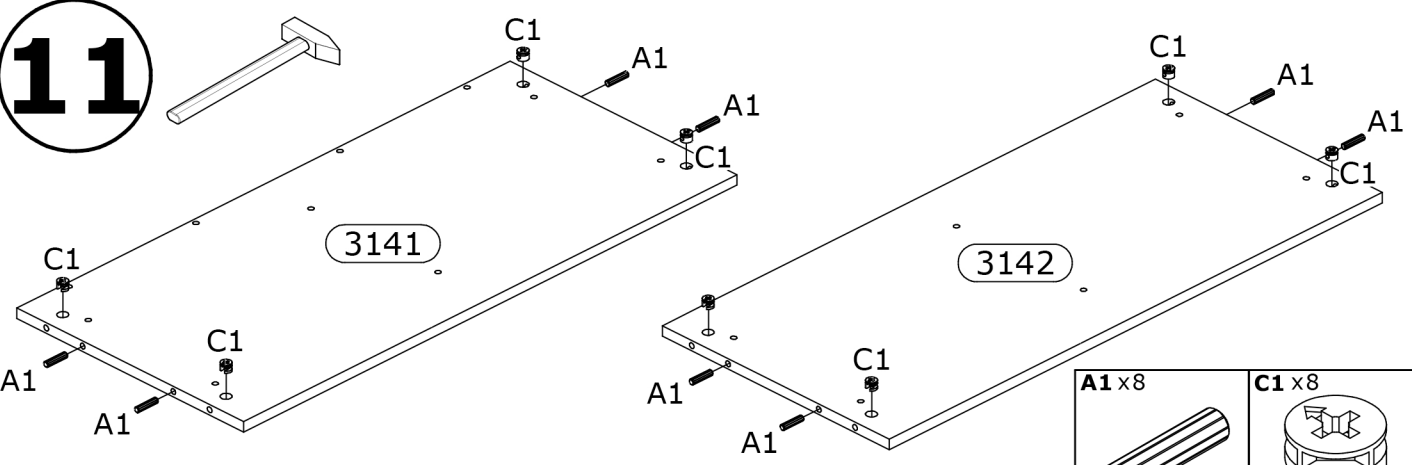
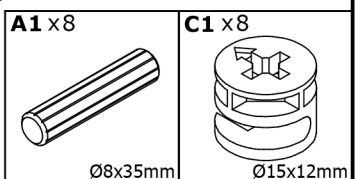
9



10

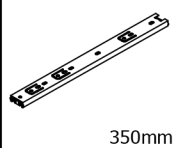


11



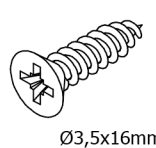
12

P2-a x 4

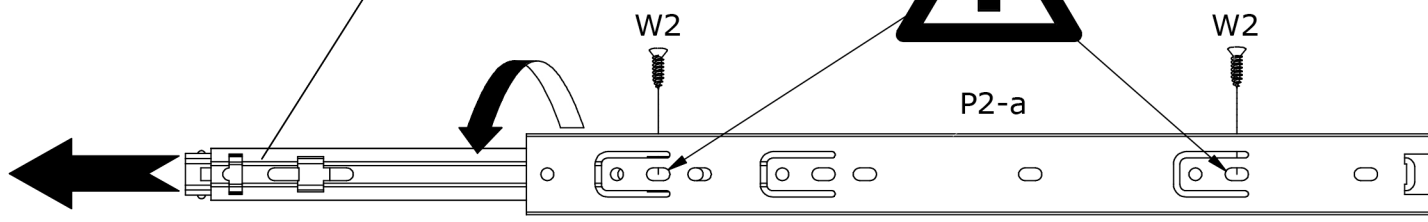
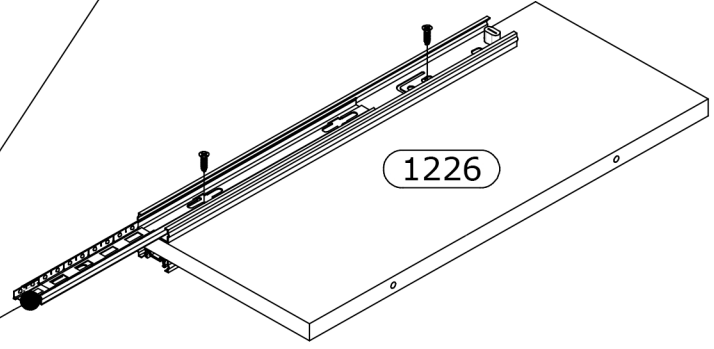
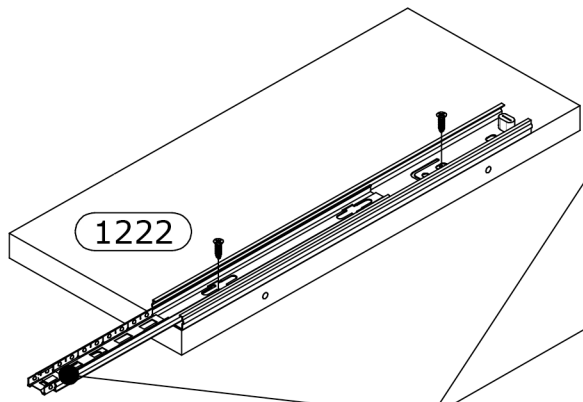
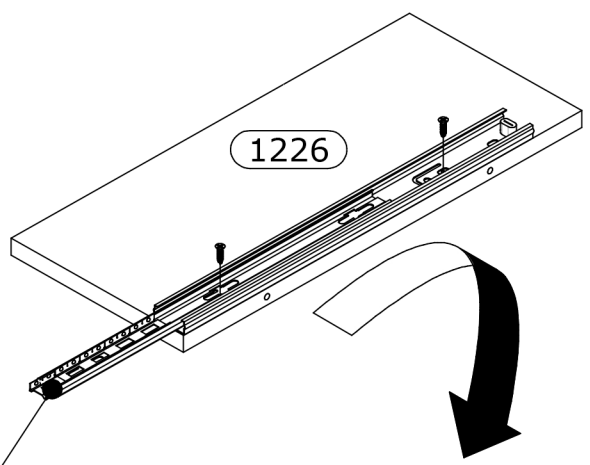
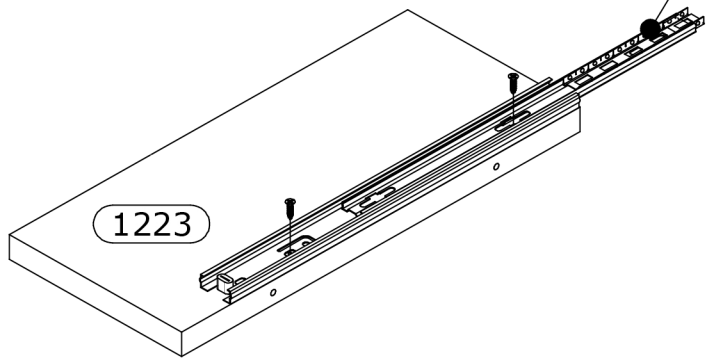
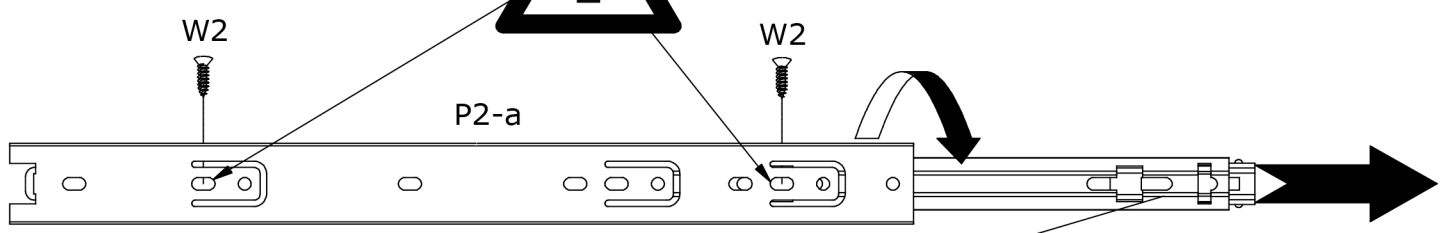
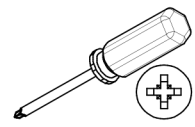


350mm

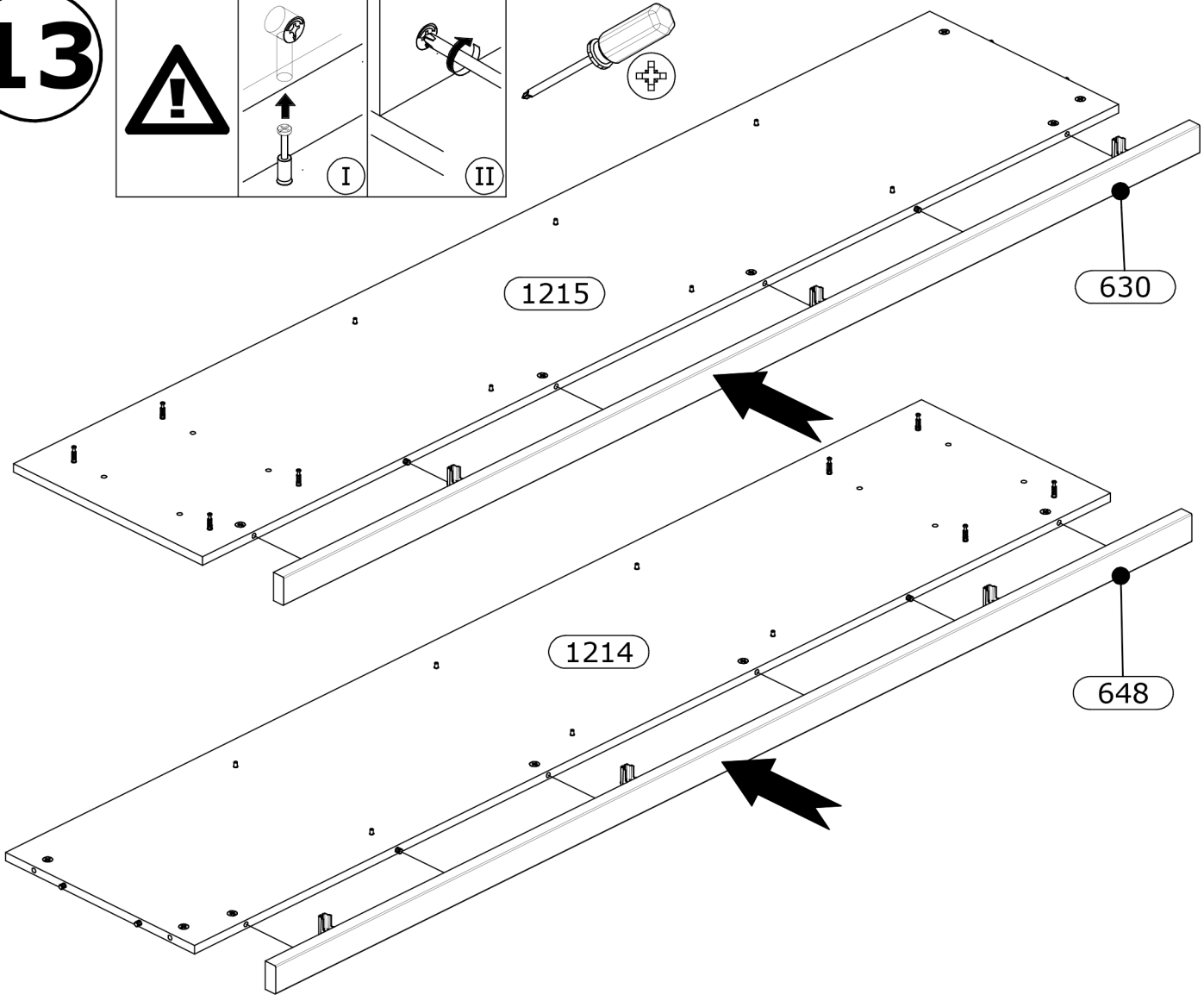
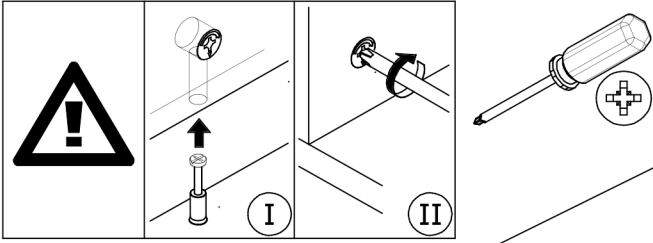
W2 x 8



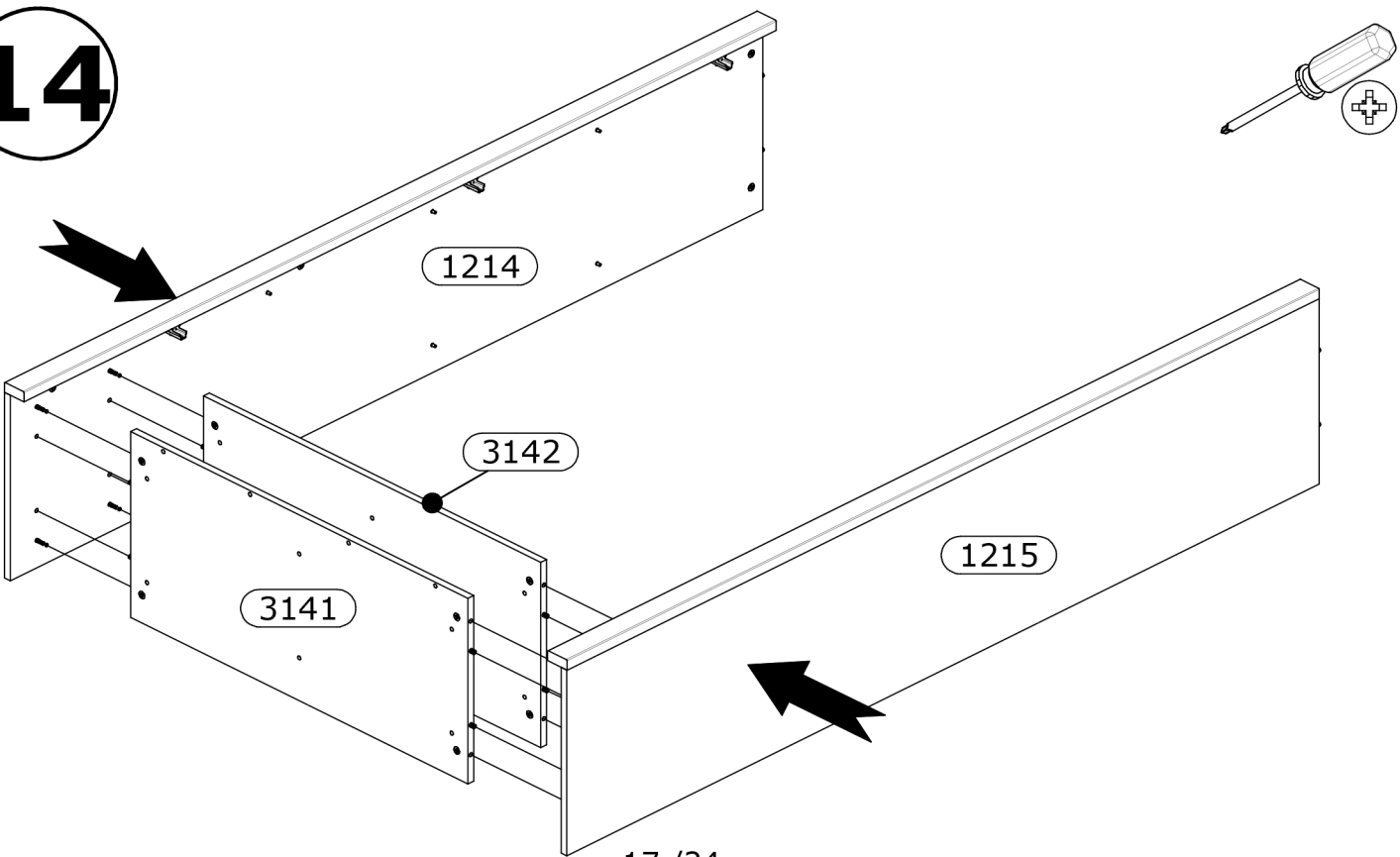
Ø3,5x16mm



13

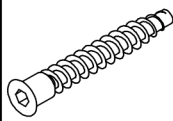


14



15

K1 x12

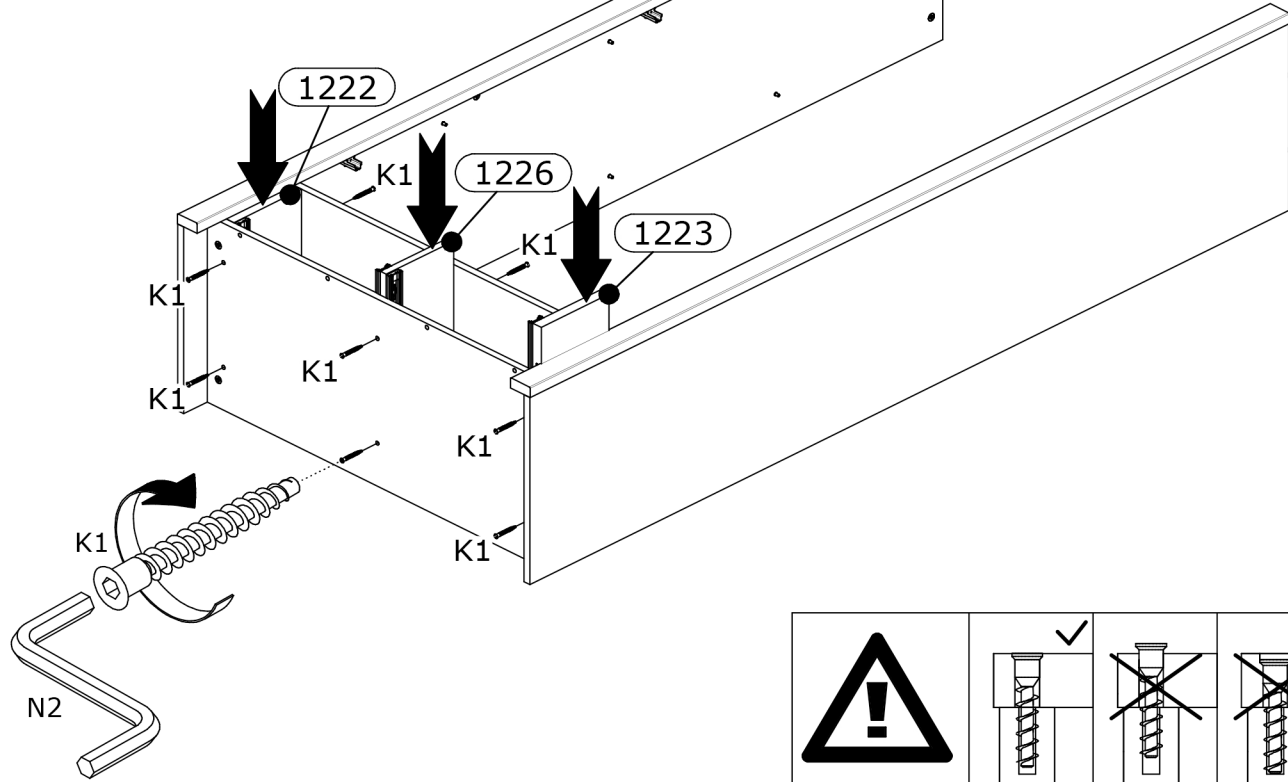


Ø6,4x50mm

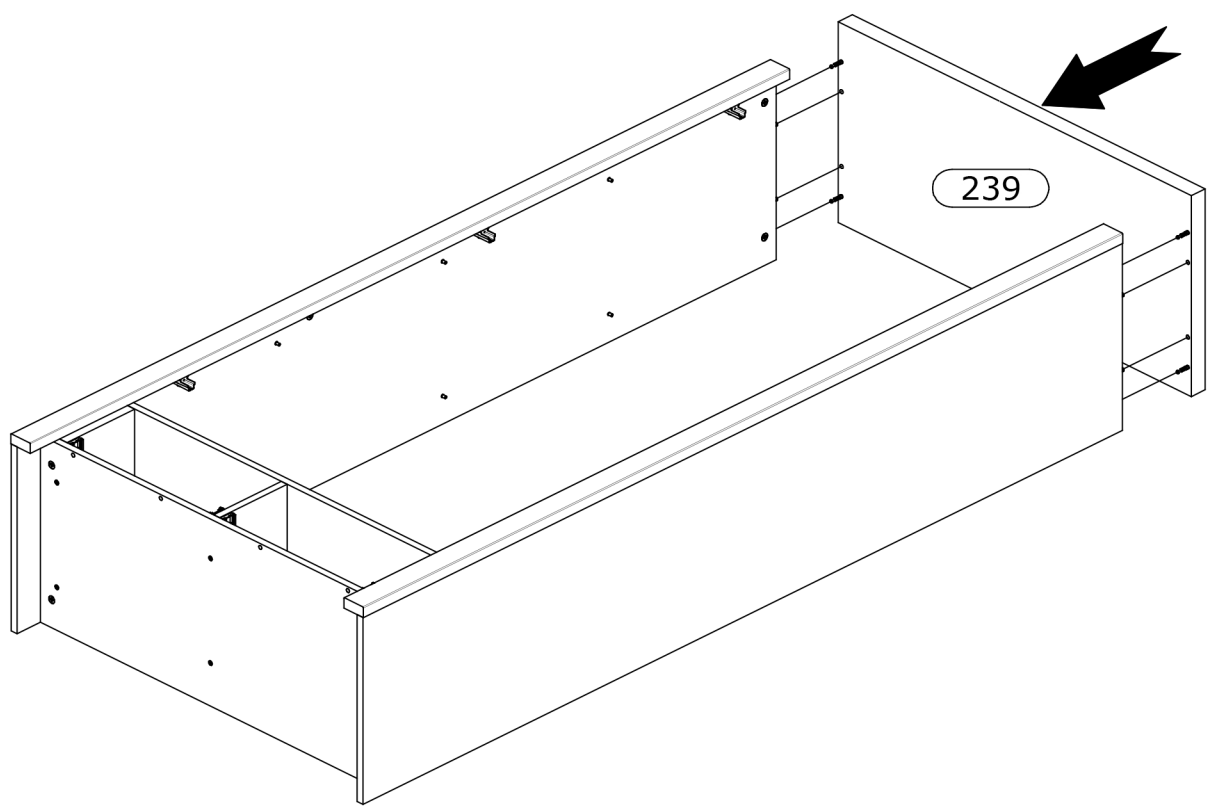
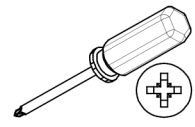
N2 x1



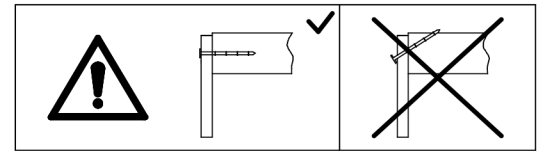
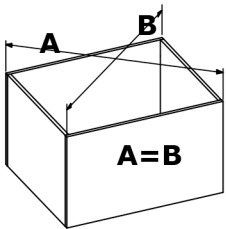
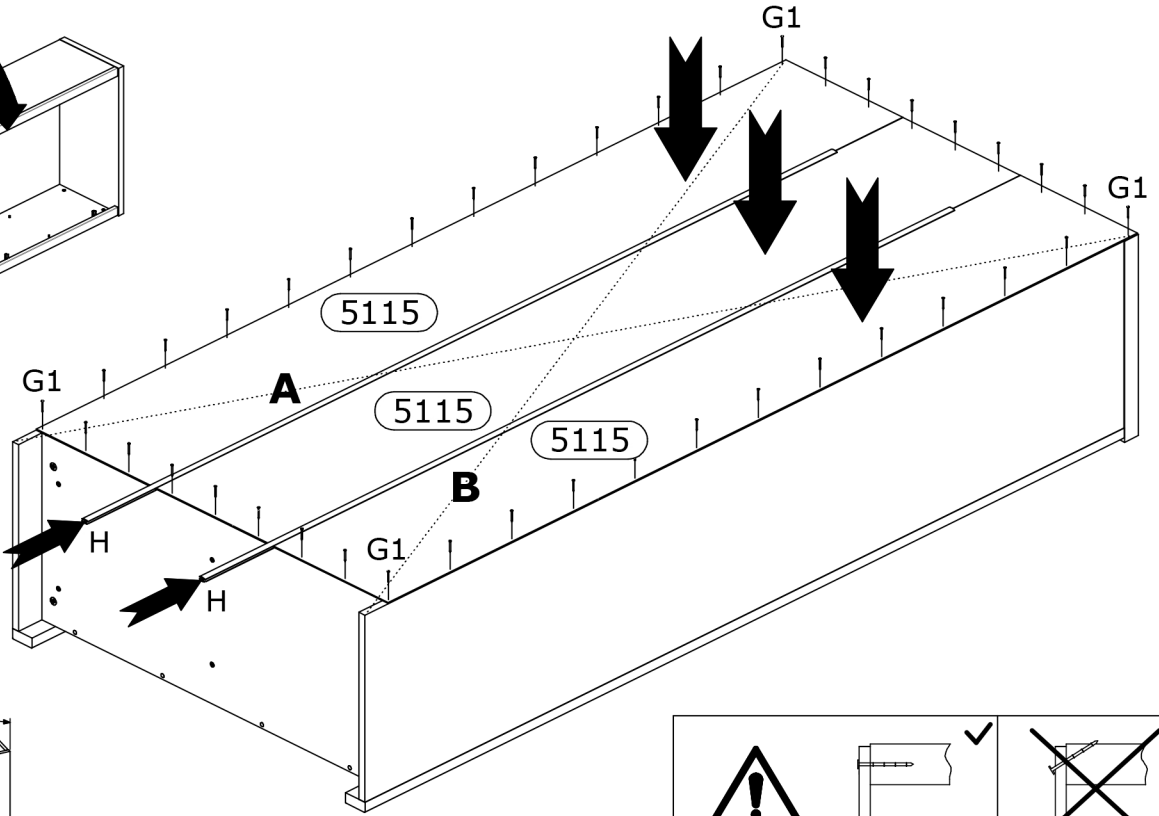
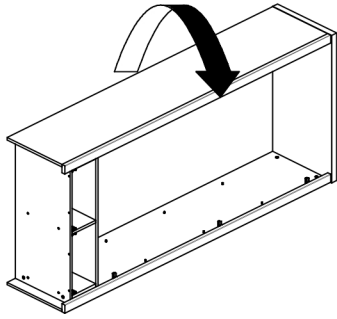
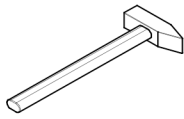
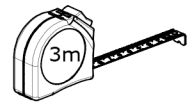
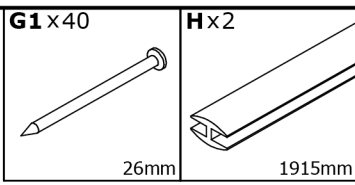
4mm HEX



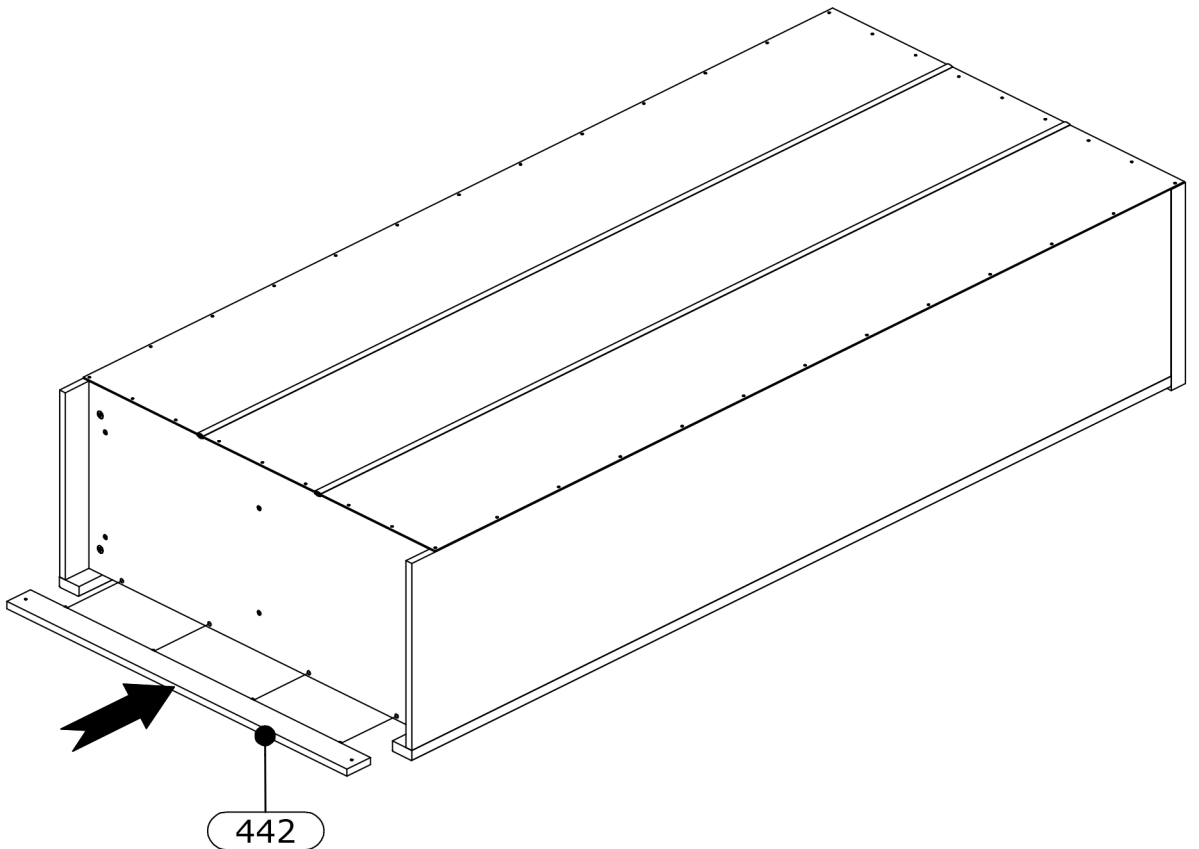
16



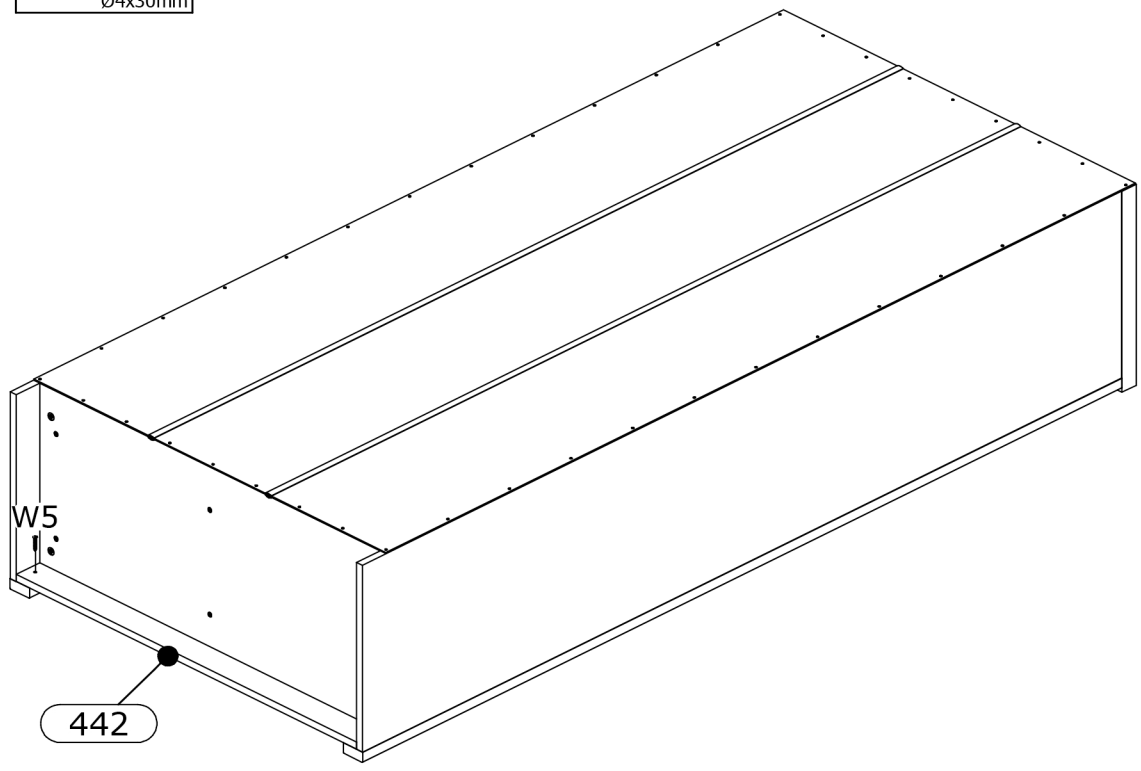
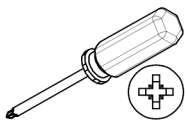
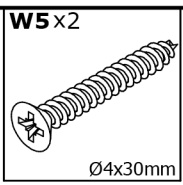
17



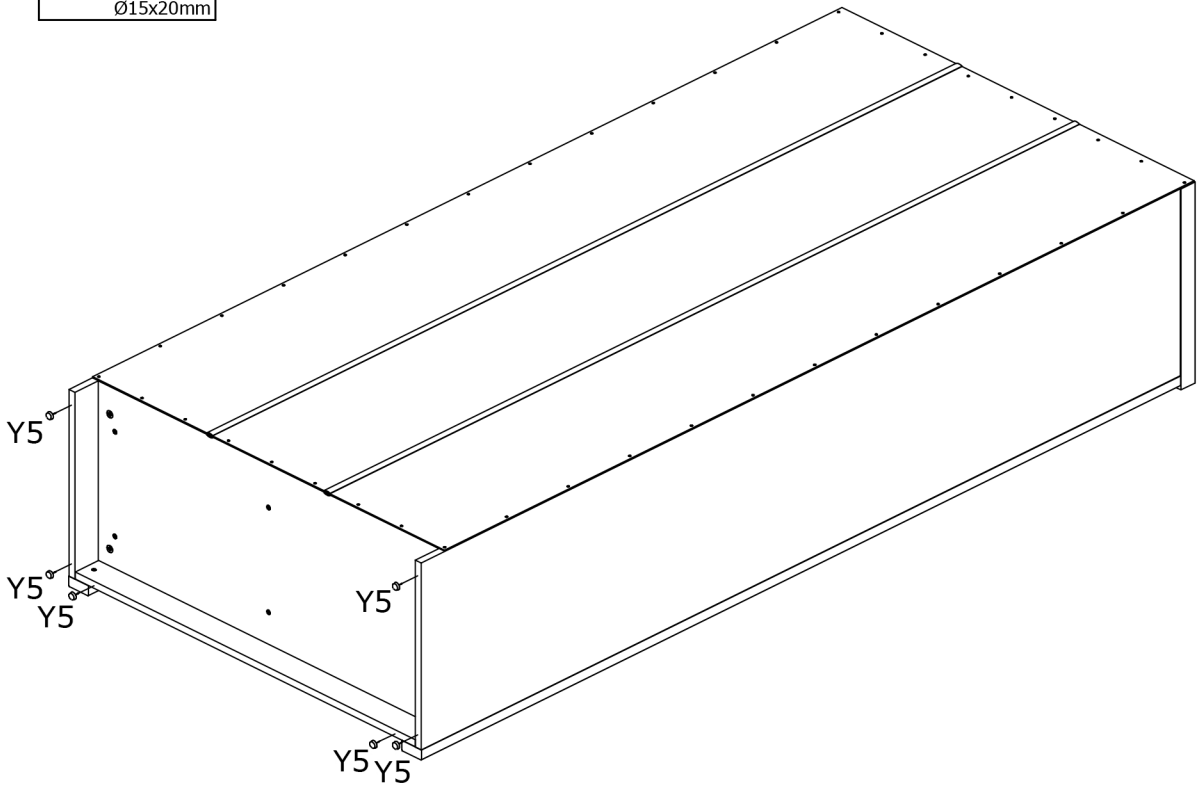
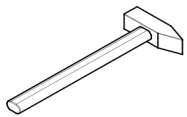
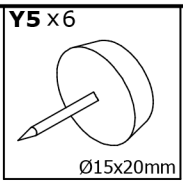
18



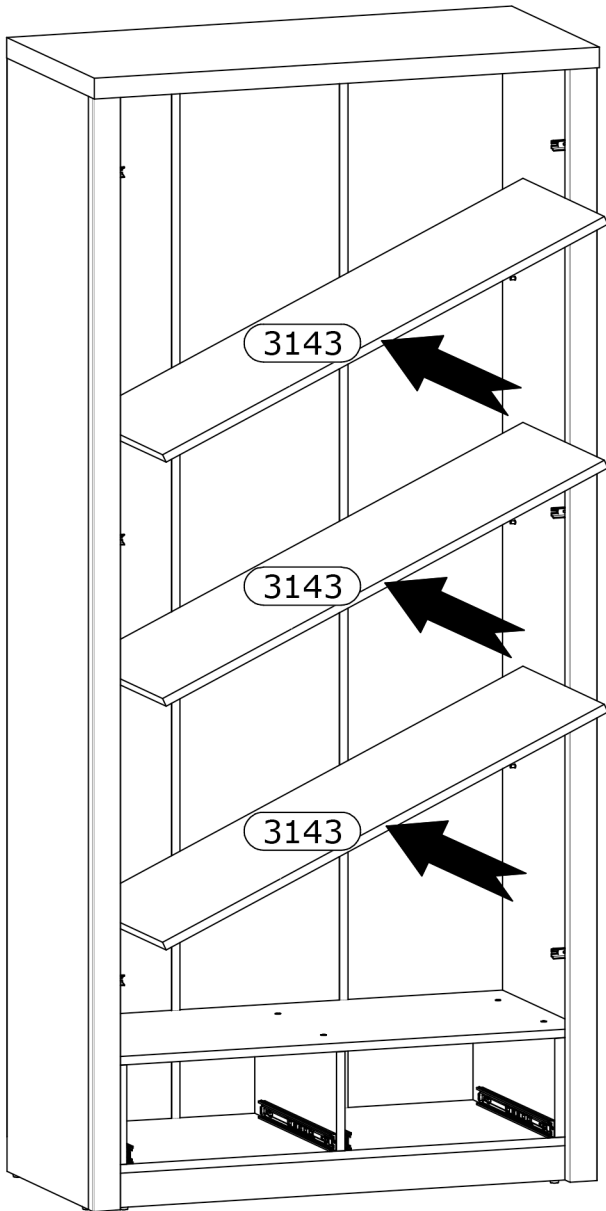
19



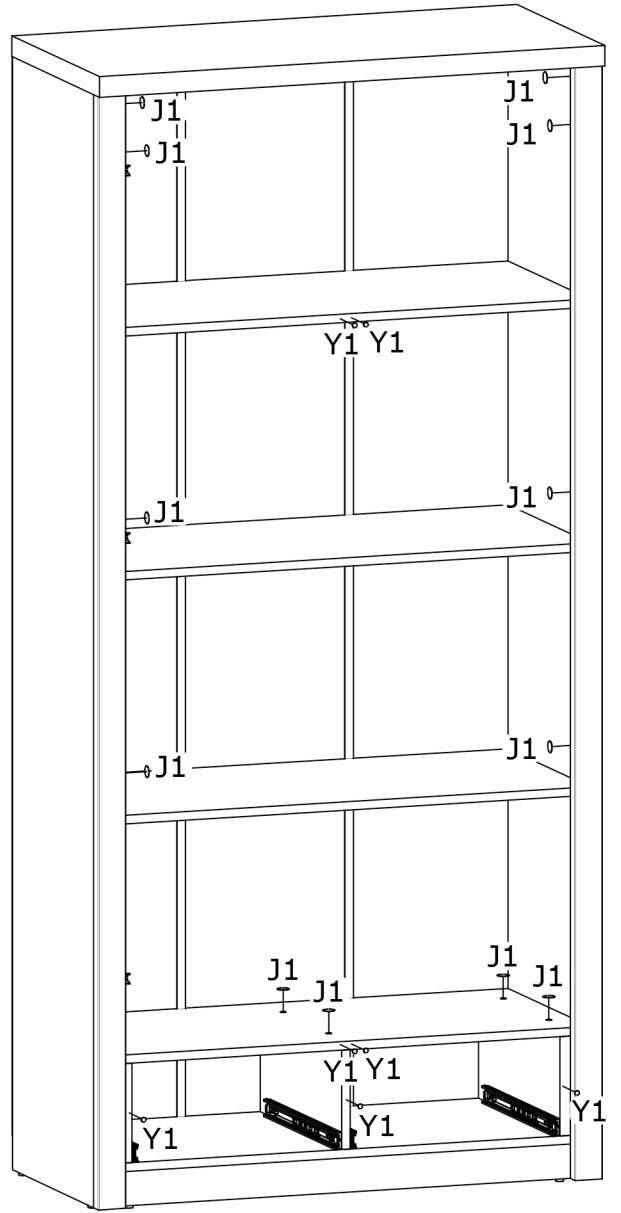
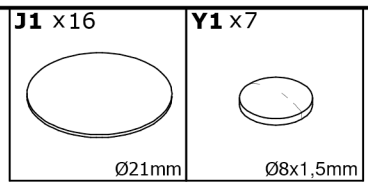
20



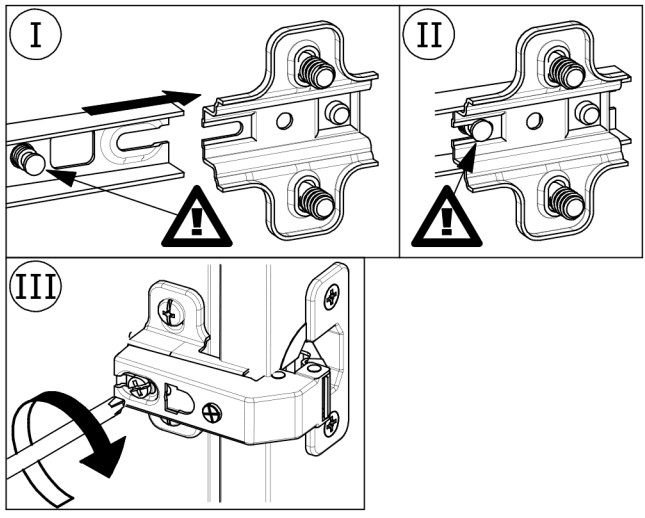
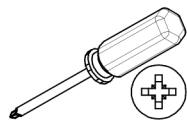
21



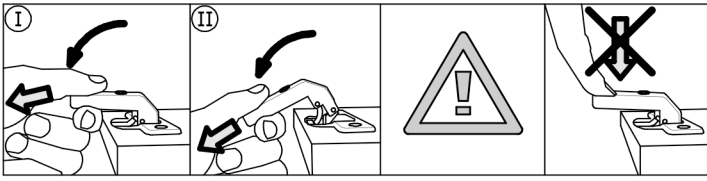
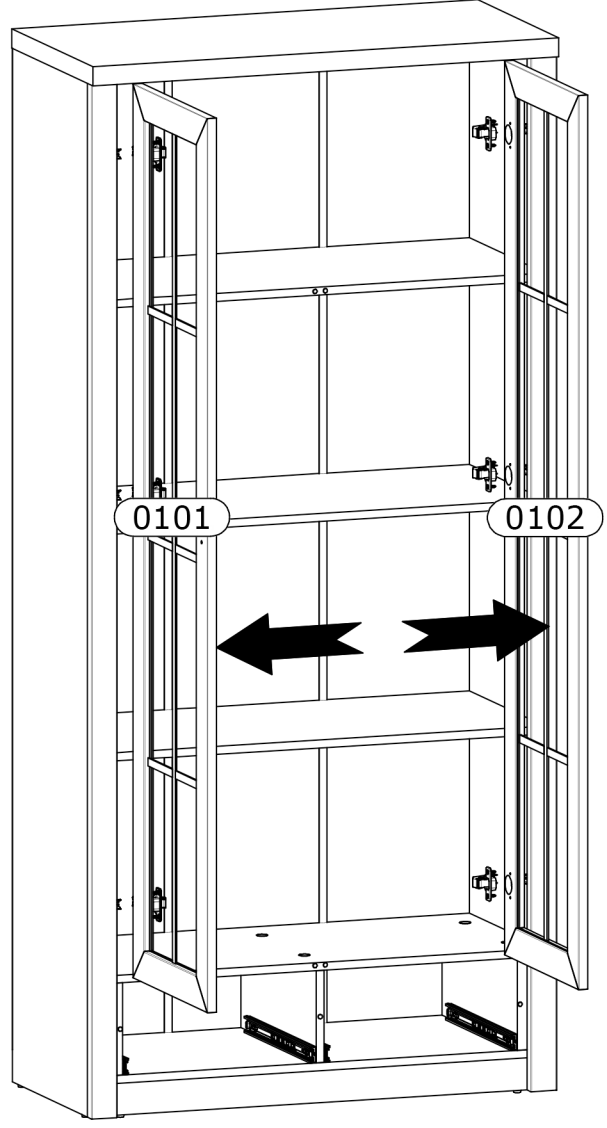
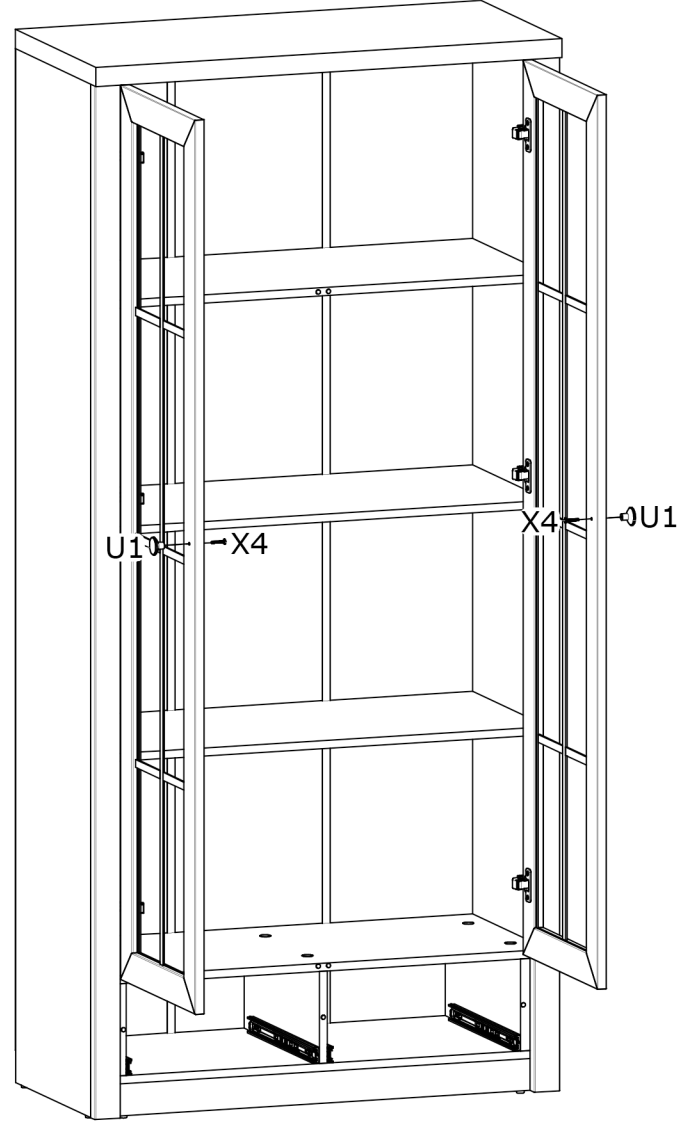
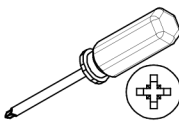
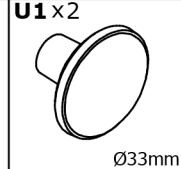
22



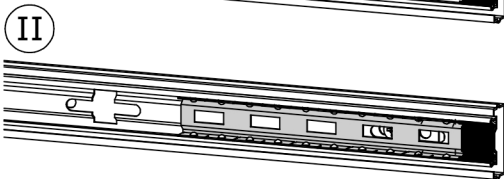
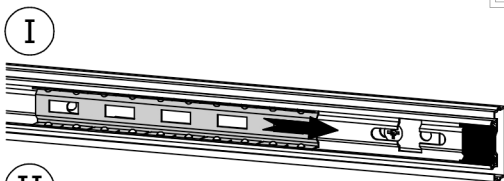
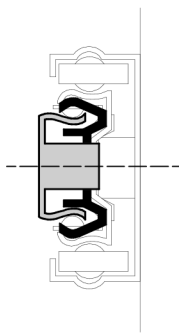
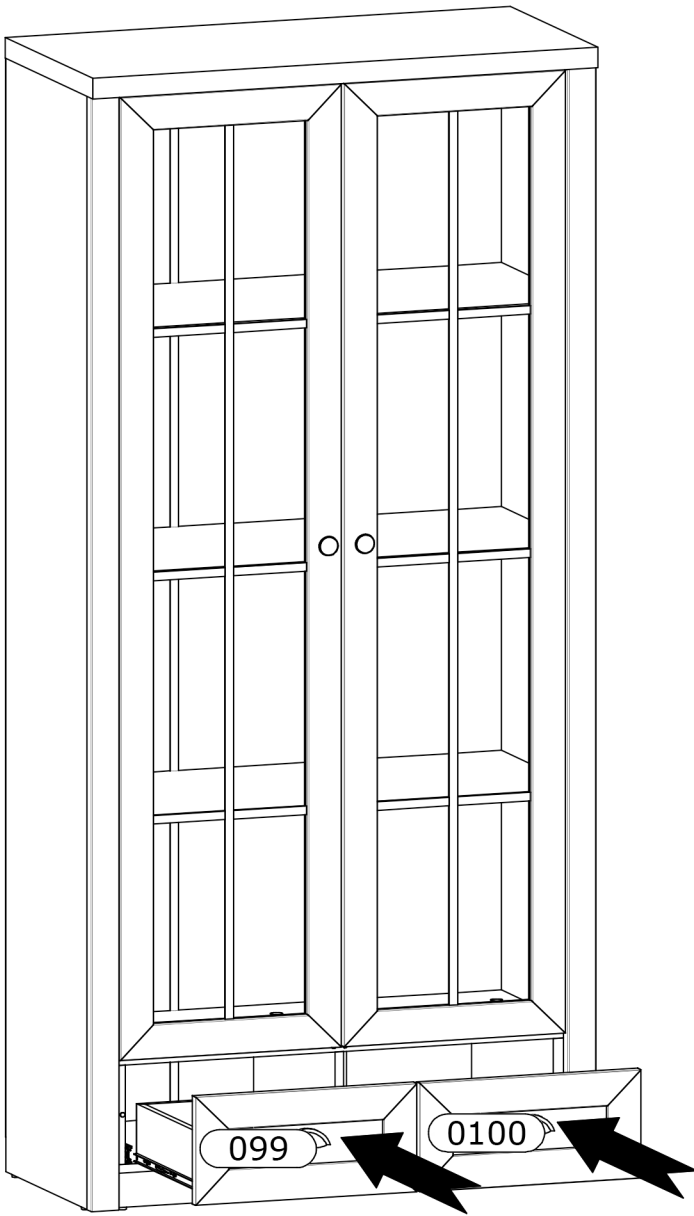
23



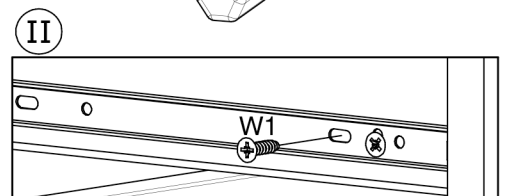
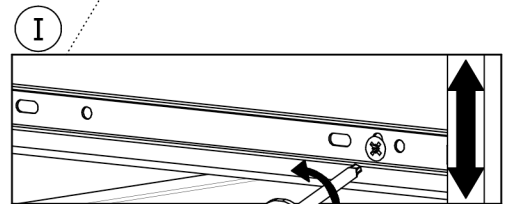
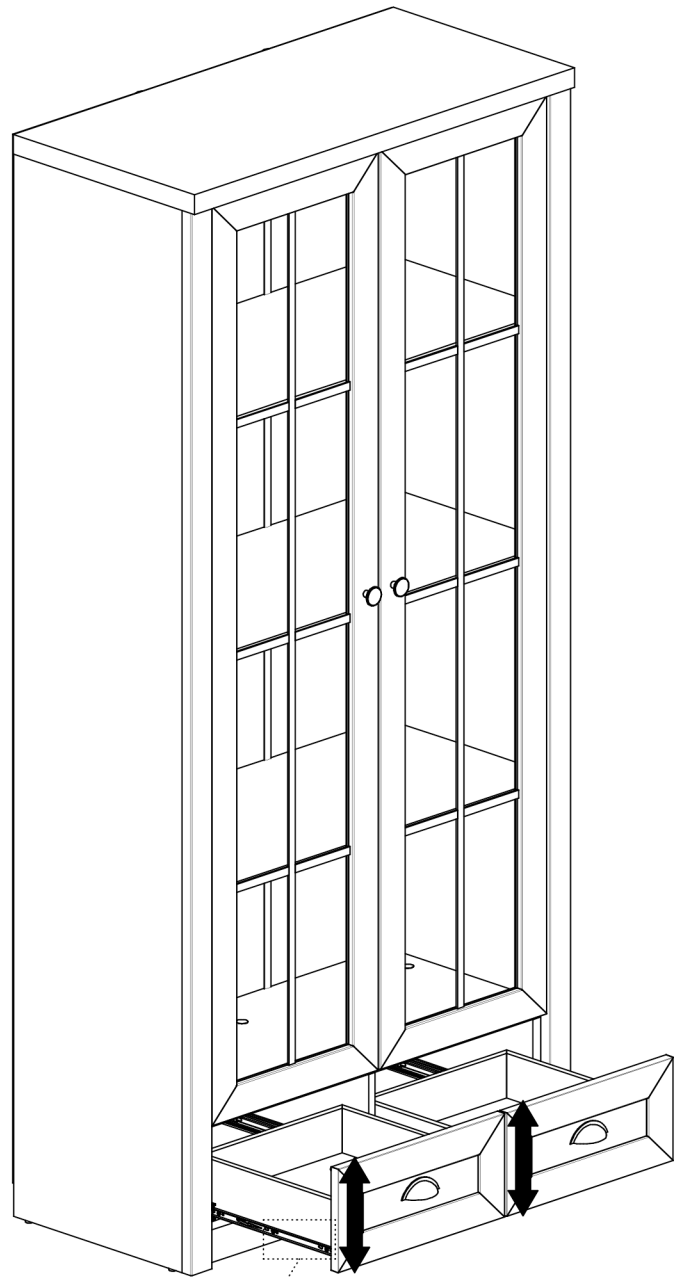
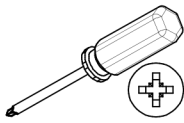
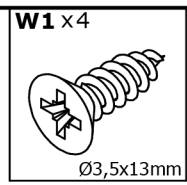
24



25

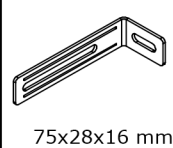


26



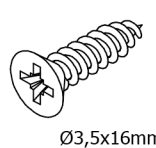
27

T4 x2

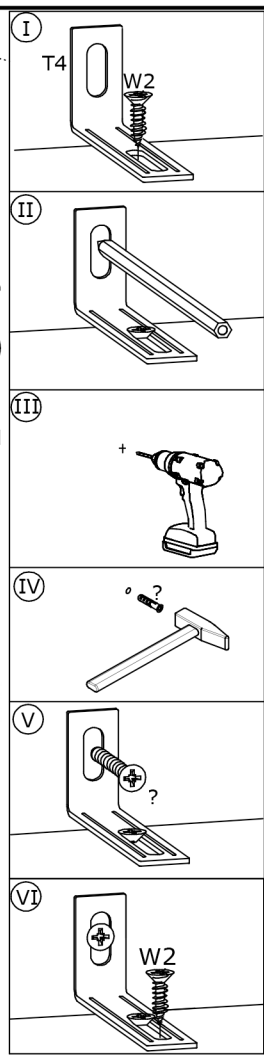
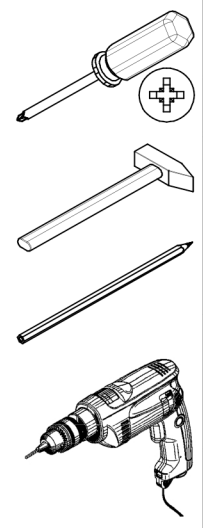
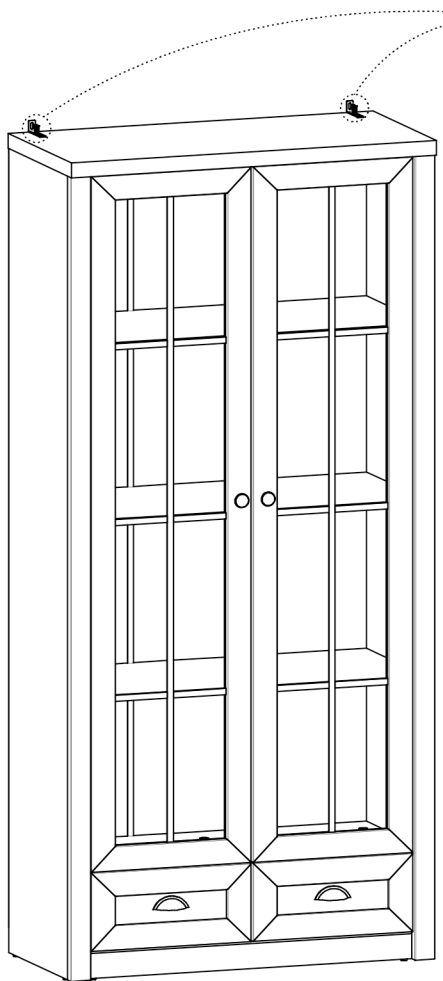
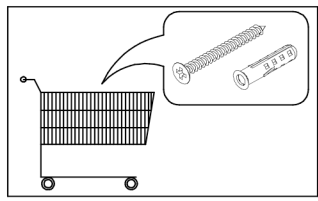
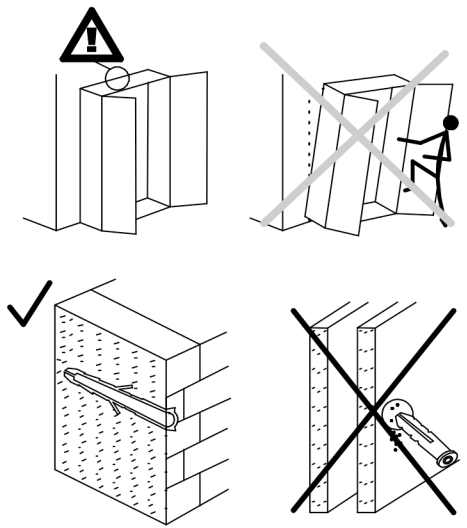


75x28x16 mm

W2 x4



Ø3,5x16mm



28

